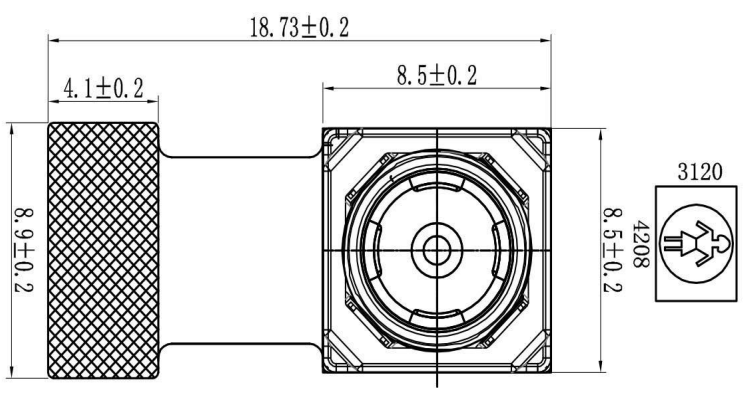
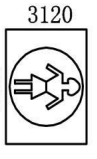


# ROHS

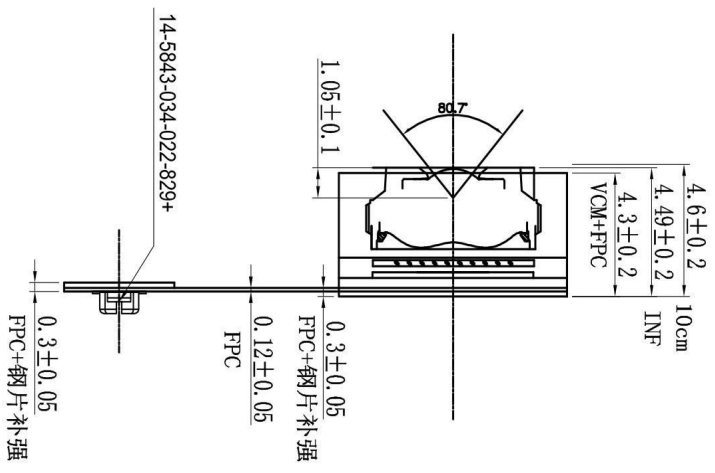
| Date | Rev | Sym. |
|------|-----|------|
|      |     |      |

| Revisions | Signed |
|-----------|--------|
|           |        |

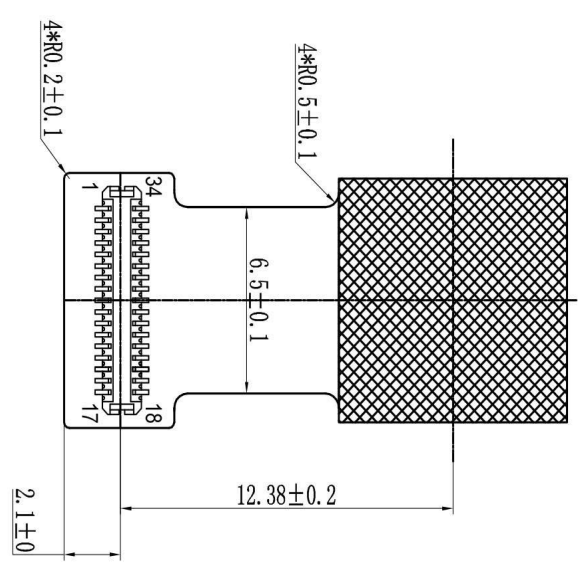
\*此产品要求通过ROHS认证



TOP VIEW



SIDE VIEW



BOTTOM VIEW

| NO. | SYMBOL | NO. | SYMBOL    |
|-----|--------|-----|-----------|
| 1   | AGND   | 18  | DGND      |
| 2   | DGND   | 19  | FSTROBE   |
| 3   | MDP2   | 20  | SDA       |
| 4   | MDN2   | 21  | SCL       |
| 5   | DGND   | 22  | DGND      |
| 6   | MDP0   | 23  | MCLK      |
| 7   | MDN0   | 24  | DGND      |
| 8   | DGND   | 25  | DGND      |
| 9   | MCP    | 26  | RESET     |
| 10  | MCN    | 27  | NC        |
| 11  | DGND   | 28  | AFVDD 2.8 |
| 12  | MDP1   | 29  | AVDD 2.7  |
| 13  | MDN1   | 30  | DOVDD 1.8 |
| 14  | DGND   | 31  | DVDD 1.2  |
| 15  | MDP3   | 32  | NC        |
| 16  | MDN3   | 33  | NC        |
| 17  | DGND   | 34  | DGND      |

## Spec

|                        |             |             |             |
|------------------------|-------------|-------------|-------------|
| EFL                    | 3.41mm      | Distortion  | 1.5% under  |
| Effective Pixel Number | 4208*3120   | CRA         | <35.09      |
| Image Sensor Size      | 1/3.06 Inch | sensor type | IMX258      |
| Image Circle(D)        | ø6.17       | VCM type    | 8.5*8.5*3.4 |
| F/ND                   | 2.2         |             |             |
| FDV                    | D=80.7      |             |             |
| CONSTRUCTION           | SP          |             |             |

**Zhuhai Winideatech Co.,Ltd.**



TITLE : 13M MIPI

UNLESS OTHERWISE SPECIFIED  
GENERAL TOLERANCE:

MODEL :

| DIM.    | TOLERANCE TYPE |       |       | SELECT LEVEL |
|---------|----------------|-------|-------|--------------|
| <3      | A              | B     | C     | 1            |
| 3-50    | ±0.03          | ±0.03 | ±0.15 |              |
| 50-100  | ±0.05          | ±0.05 | ±0.15 |              |
| >100    | ±0.08          | ±0.08 | ±0.2  |              |
| ANGULAR | ±0.08°         | ±0.1° | ±0.3° |              |

PART NO. :

MATERIAL :

FINISHED :

UNIT: mm

DWG NO. :

DRAWN :

CHECKED :

APPROVED :

SCALE : 1:1

REV.