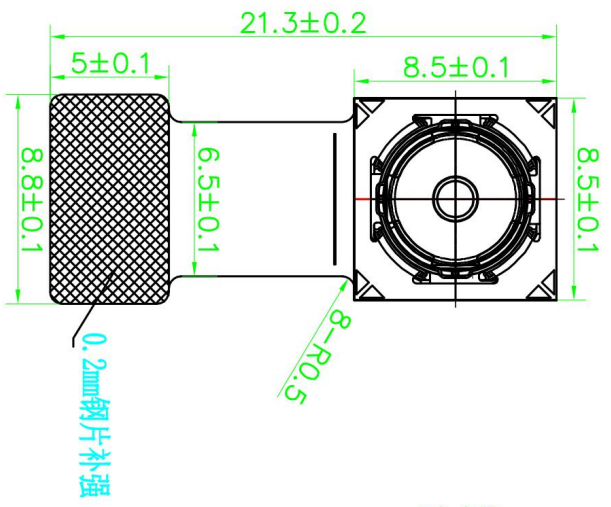
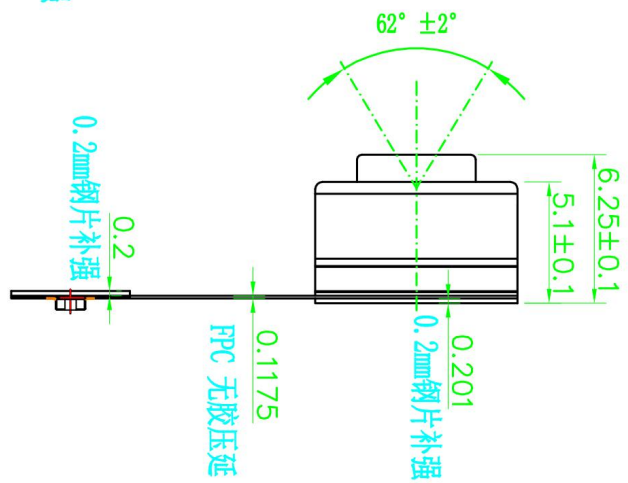


更改: REV:	日期: DATE:	说明: DESCRIPTION:	修改: ENG:	审核: Approved:

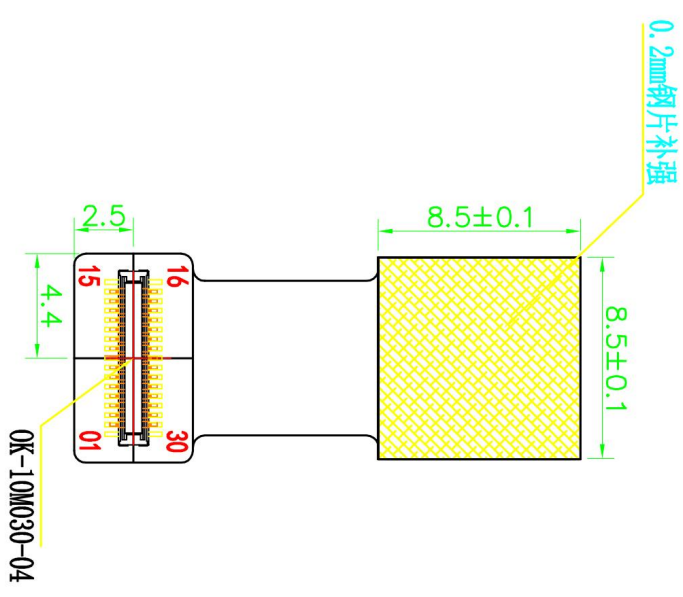
### TOP VIEW



### SIDE VIEW



### BOTTOM VIEW



CONNECTOR  
30PIN DESCRIPTION

NO.	SYMBOL
1	XCLK
2	GND
3	MDP0
4	MNO0
5	GND
6	MNI1
7	MDP1
8	GND
9	MNI2
10	MCP
11	GND
12	AF_YDD
13	AF_GND
14	AVDD
15	AGND
16	DVDD
17	D0VDD
18	GND
19	SCL
20	SDA
21	XCLR (PWN)
22	NC
23	NC
24	GND
25	MDP3
26	MNI3
27	GND
28	MNI2
29	MDP2
30	GND

驱动IC: DM9714

**Zhuhai WinideatTech Co., Ltd.**

Model name:  
**XIFT-317-876A-179**

Version:  
**版本: A**

### 性能参数

项目	参数	项目	参数
感光芯片 (Image sensor)	IMX179 PLCC	镜头结构 (Lens Construction)	IP
像素 (Active Pixels)	3280*2464	视场角 (View Angle)	62° ±2°
Analog	2.7V	光圈 (F/No.)	2.2
I/O	1.8V	焦距 (focal Length)	3.64
Core	1.2V	畸变 (TV Distortion)	>=1%

Requirement of Solder Paste

1. Comply with halogen free product Chemical Substances Specification

2. Follow customer specification as required

3. Allow halogen free requirement: Br<80 ppm Cl<900ppm B<100 ppm as required

Select:	A	B	C	D
Level Dim:				
0-5	+0.03	+0.05	+0.08	+0.10
5-10	+0.05	+0.08	+0.10	+0.15
10-50	+0.08	+0.10	+0.15	+0.2
50-100	+0.10	+0.15	+0.2	+0.25
100-	+0.1%	+0.15%	+0.2%	+0.3%

Draw by:

制图:

Date: 2018-05-31

Approved by:

确认:

Date:

时间:

Projection:

Unit: mm

Scale: 1:1